

## SA455M (BF)

60-CELL LINE



Peimar monocrystalline solar panels, produced using a combination of innovative production processes and advanced engineering techniques, provide customers with maximum output and super high performance.

This allows fewer panels to be used to generate more energy, ideal if space is restricted or environmental conditions are challenging. Modern design, using matching black cells and frames and a very long lifespan ensure this monocrystalline are a great option.

**30** YEAR LINEAR POWER WARRANTY  
**30** YEAR PRODUCT WARRANTY



**PERC TECHNOLOGY**



**ANTI-REFLECTIVE GLASS**



**QBE INSURANCE**  
Product Liability Insurance QBE

### Cells



60 CELLS  
MONO 10BB M10 | PERC

182 x 182 mm / 7.16 x 7.16"

### Frame



COMPACT AND STURDY | 30 mm

ANCHORABLE ALSO ON  
THE SHORT SIDE <sup>(3)</sup>

## Electrical Characteristics (STC) <sup>(1)</sup>

## SA455M (BF)

Nominal Output (Pmax) <sup>(2)</sup>	455 W
Sorting Tolerance	0/+5 W
Voltage at Pmax (Vmp)	34.34 V
Current at Pmax (Imp)	13.25 A
Open Circuit Voltage (Voc) <sup>(2)</sup>	42.24 V
Short Circuit Current (Isc) <sup>(2)</sup>	14.05 A
Maximum System Voltage	1500 V
Maximum Series Fuse Rating	20 A
Module Efficiency	21.30%
Protection class against electric shock	Class II

## Mechanical Characteristics

Solar Cells	60 M10 monocrystalline PERC
Solar Cells Size	182 x 182 mm / 7.16 x 7.16"
Front Cover	3.2 mm / 0.13" thick, low iron tempered glass
Back Cover	TPT (Tedlar-PET-Tedlar)
Encapsulant	EVA (Ethylene vinyl acetate)
Frame	Anodized aluminium alloy, double wall
Frame finishing	Black
Backsheet finishing	White
Diodes	3 Bypass diodes serviceable
Junction Box	IP67 rated
Connector	MC4 or compatible connector
Cables Length	1300 mm / 51.18"
Cables Section	4.0 mm <sup>2</sup> / 0.006 in <sup>2</sup>
Dimensions	1884 x 1134 x 30 mm / 74.17 x 44.64 x 1.18"
Weight	23.8 kg / 52.47 lbs
Max Load (Test Load) - SF	5400 Pa - 1.5 <sup>(3)</sup>

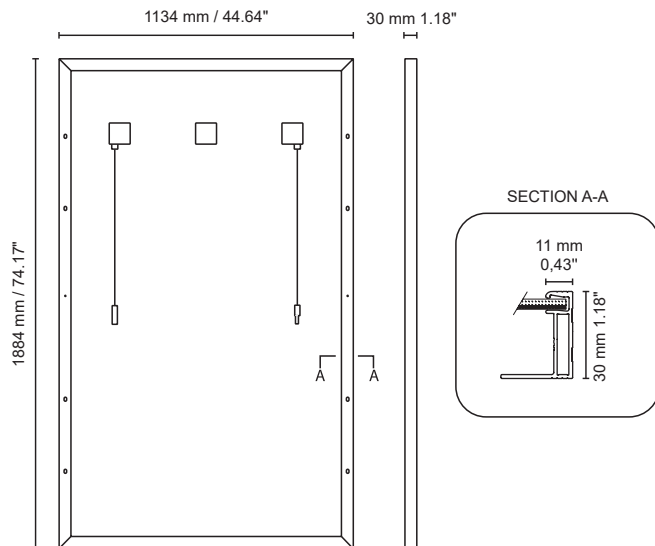
## Temperature Characteristics

NMOT <sup>(3)</sup>	45±2 °C
Temperature Coefficient of Pmax	-0.37 %/°C
Temperature Coefficient of Voc	-0.28 %/°C
Temperature Coefficient of Isc	0.042 %/°C
Operating Temperature	-40 °C - +85 °C

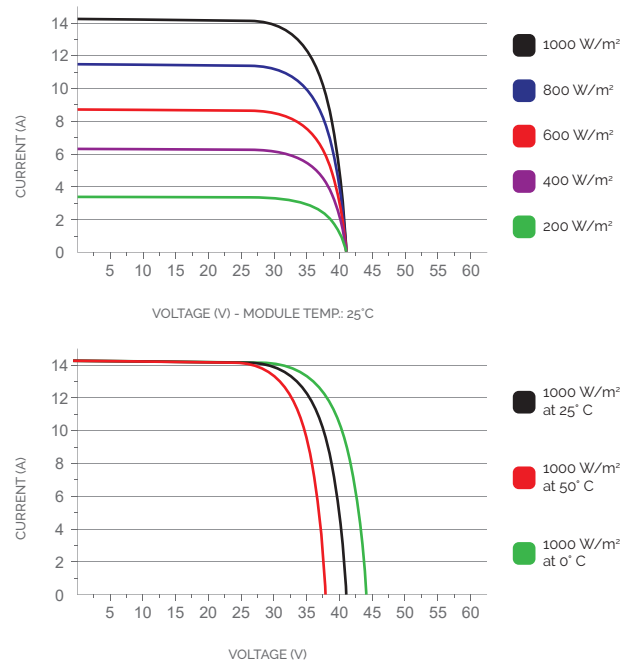
## Packaging <sup>(4)</sup>

Pallet dimensions	1935 x 1120 x 1260mm / 76.18 x 44.09 x 49.61"
Pieces per pallet	36
Weight	880 kg / 1940.07 lbs

## Dimensions



## Current/Voltage Characteristics



1. STC: (Standard Test Condition) Irradiance 1000W/m<sup>2</sup>, Module Temperature 25°C, Air Mass 1.5

2. Pmax, Voc, Isc measurement tolerance: ±3%

3. NMOT: Nominal Module Operating Temperature, Irradiance 800W/m<sup>2</sup>, Air 20°C, Wind speed 1m/s

4. Pallets can be stacked up to two

5. Consult the installation manual for the relative mounting configurations